

Dorplan

Harmonising Doors & Ironmongery

PuraPocket

Sliding pocket door systems

PuraPocket sliding door systems provide a solution to best utilise valuable space.

They have been exceptionally well designed and engineered to ensure high performance and simple installation.

All systems allow for doors to easily be removed for maintenance or repairs.



sales@dorplan.co.uk

01366 386800

www.dorplan.co.uk

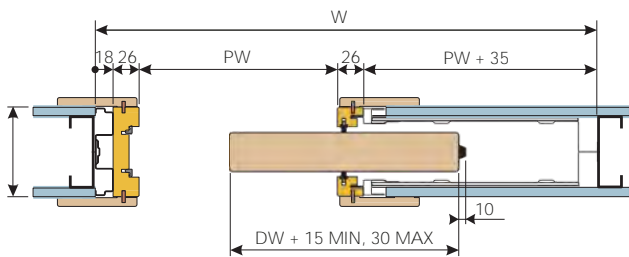
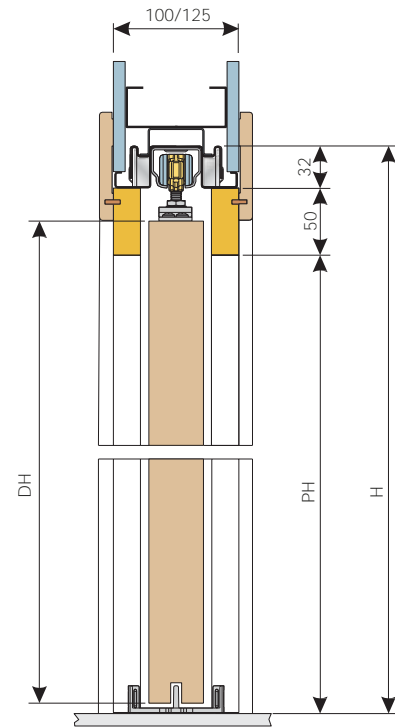
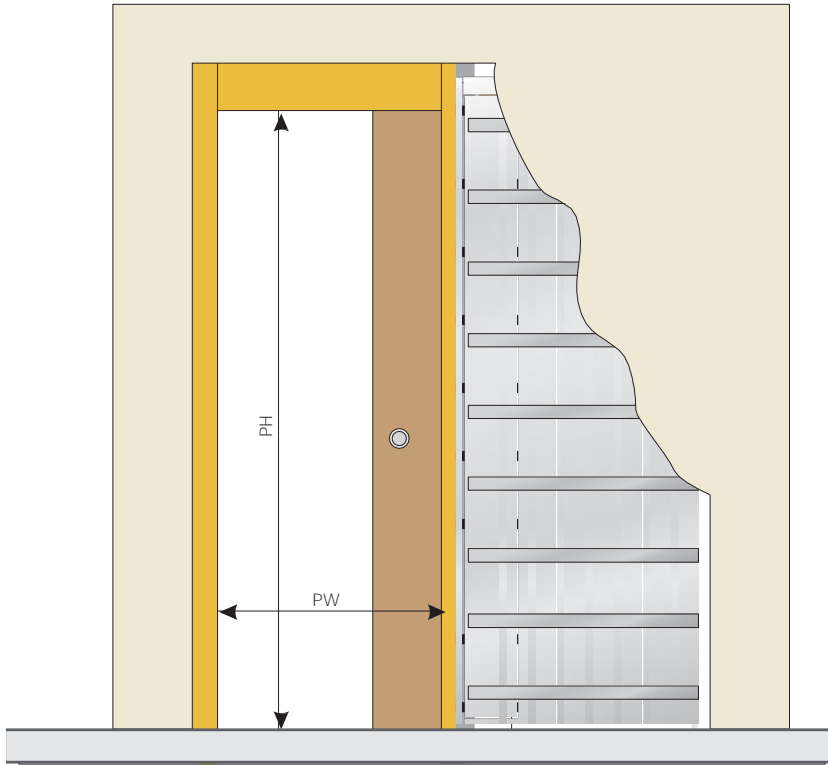
PuraPocket



Dorplan

Harmonising Doors & Ironmongery

Single leaf
For plasterboard partition walls



Notes
Suitable for 44mm thick doors.
Max door weight 80kg
All dimensions given in mm
Full range of complimentary accessories available - See page 17 onwards
NB: Non-standard sizes are available

Max Passage Size PW x PH	Structural Opening W x H	Door Size DW x DH	Wall Thickness	Product Code
600 x 2030	1325 x 2135	626 x 2040	100	90120/A
			125	90120/B
700 x 2030	1525 x 2135	726 x 2040	100	90120/C
			125	90120/D
800 x 2030	1725 x 2135	826 x 2040	100	90120/E
			125	90120/F
900 x 2030	1925 x 2135	926 x 2040	100	90120/G
			125	90120/H
1000 x 2030	2125 x 2135	1026 x 2040	100	90120/I
			125	90120/J
650 x 1970	1425 x 2075	686 x 1981	100	90120/K
			125	90120/L
740 x 1970	1625 x 2075	762 x 1981	100	90120/M
			125	90120/N
800 x 1970	1725 x 2075	838 x 1981	100	90120/O
			125	90120/P
890 x 1970	1925 x 2075	914 x 1981	100	90120/Q
			125	90120/R

Doors can be removed for maintenance or repair without damage to the surrounding walls

sales@dorplan.co.uk

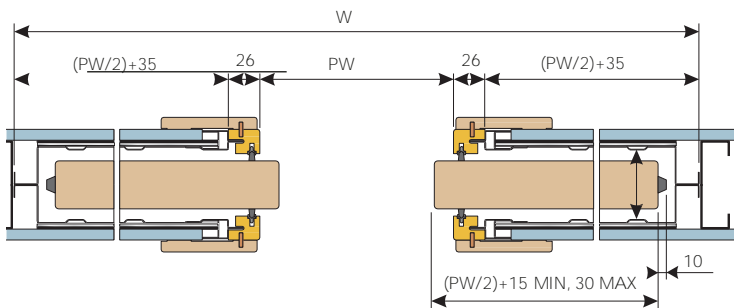
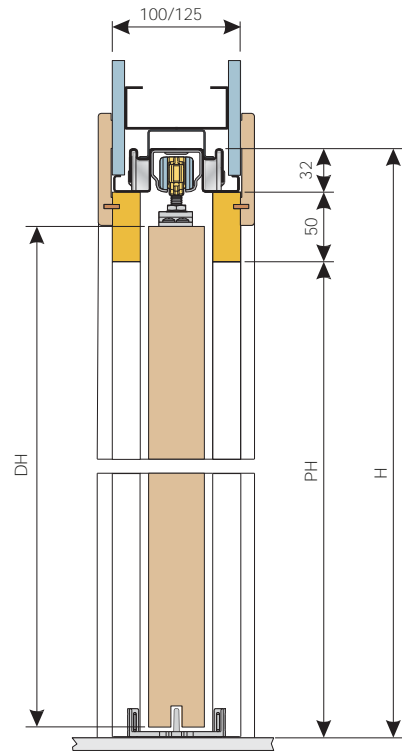
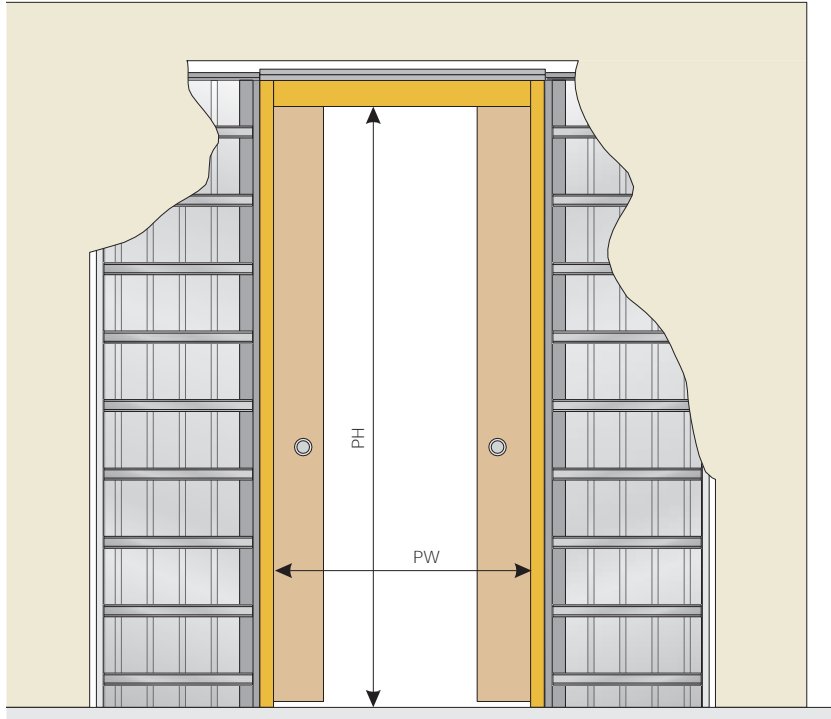
01366 386800

www.dorplan.co.uk



PuraPocket

Double leaf
For plasterboard partition walls



Notes

- Suitable for 44mm thick doors.
- Max door weight 80kg
- All dimensions given in mm
- Full range of complimentary accessories available – See page 17 onwards
- NB: Non-standard sizes are available**

Max Passage Size PW x PH	Structural Opening W x H	Door Size (Individual) DW x DH	Wall Thickness	Product Code
1200 x 2030	2650 x 2135	626 x 2040	100	90125/A
			125	90125/B
1400 x 2030	3050 x 2135	726 x 2040	100	90125/C
			125	90125/D
1600 x 2030	3450 x 2135	826 x 2040	100	90125/E
			125	90125/F
1800 x 2030	3850 x 2135	926 x 2040	100	90125/G
			125	90125/H
2000 x 2030	4250 x 2135	1026 x 2040	100	90125/I
			125	90125/J
1300 x 1970	2850 x 2075	686 x 1981	100	90125/K
			125	90125/L
1480 x 1970	3250 x 2075	762 x 1981	100	90125/M
			125	90125/N
1600 x 1970	3450 x 2075	838 x 1981	100	90125/O
			125	90125/P
1780 x 1970	3850 x 2075	914 x 1981	100	90125/Q
			125	90125/R

Doors can be removed for maintenance or repair without damage to the surrounding walls